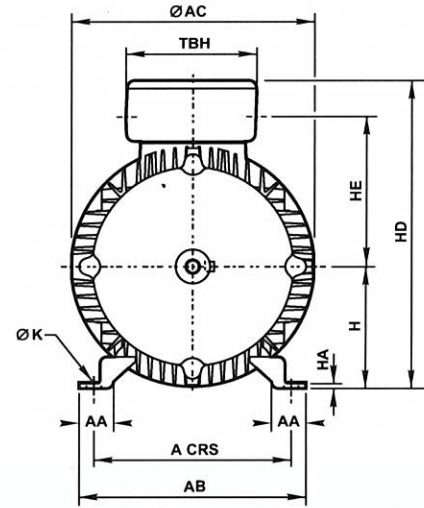
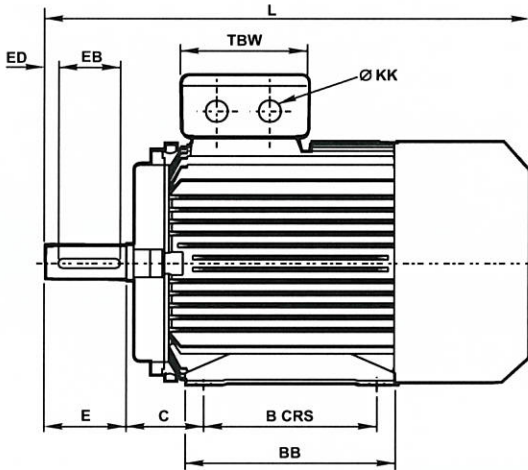


Dimensions

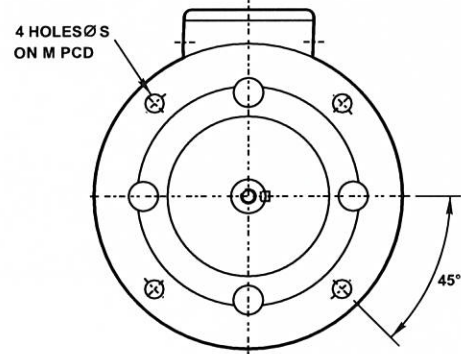
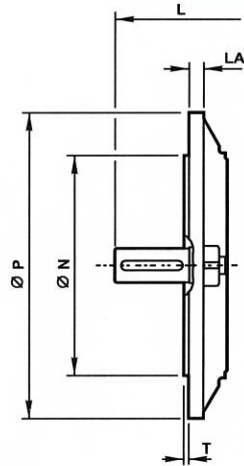
12

Foot, flange and face mounting - frame sizes 80 to 160 aluminium (A-DA)

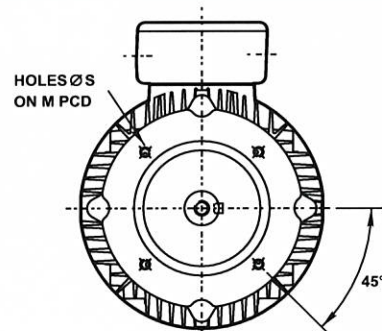
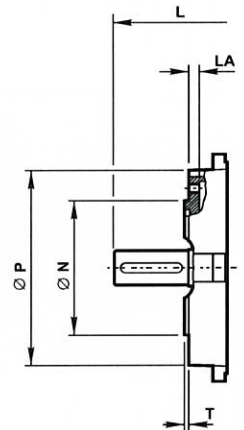
IM B3
IM 1001
Mounting options



IM B5/IM B35
IM 3001/IM 2001
Mounting options



IM B14/IM B34
IM 3601/IM 2101
Mounting options



Dimensions

Foot, flange and face mounting - frame sizes 80 to 160 aluminium (A-DA)

General																
Type	Terminal box															
Aluminium	A	B	C	H	K	L	AA	AB	AC	BB	HA	HD	HE	TBW	TBH	KK
A-DA80M	125	100	50	80	10 x 14	290	35	157	158	125	8	213	104	101	101	1 x M25
A-DA90S	140	100	56	90	10 x 14	325	37	173	175	125	10	233	112	109	109	1 x M25
A-DA90L	140	125	56	90	10 x 14	350	37	173	175	150	10	233	112	109	109	1 x M25
A-DA100L	160	140	63	100	12 x 16	398	40	196	198	172	11	260	124	109	109	1 x M32
A-DA112M	190	140	70	112	12 x 16	440	41	227	219	180	12	281	135	119	119	2 x M32
A-DA132S	216	140	89	132	12 x 16	475	51	262	258	186	15	320	153.5	119	119	2 x M32
A-DA132M	216	178	89	132	12 x 16	513	51	262	258	224	15	320	153.5	119	119	2 x M32
A-DA160M	254	210	108	160	15 x 18	609	55	309	315	260	18	402	194.5	155	164	2 x M40
A-DA160L	254	254	108	160	15 x 18	653	55	309	315	304	18	402	194.5	155	164	2 x M40

Flange & Face												
Type	IM B5 mounting						IM B14 mounting					
	M	N	P	S	T	LA	M	N	P	S	T	LA
A-DA80M	165	130	200	12	3.5	12	100	80	120	M6	3.0	-
A-DA90S	165	130	200	12	3.5	11	115	95	140	M8	3.0	14
A-DA90L	165	130	200	12	3.5	11	115	95	140	M6	3.0	14
A-DA100L	215	180	250	14.5	4.0	13	130	110	160	M8	3.5	15
A-DA112M	215	180	250	14.5	4.0	14	130	110	160	M8	3.5	15
A-DA132S	265	230	300	14.5	4.0	14	165	130	200	M10	3.5	17
A-DA132M	265	230	300	14.5	4.0	14	165	130	200	M10	3.5	17
A-DA160M	300	250	350	18.5	5.0	15	215	180	250	M12	4	-
A-DA160L	300	250	350	18.5	5.0	15	215	180	250	M12	4	-

Shaft								
Type	D	E	F	G	GD	EB	ED	DH
A-DA80	19	40	6	15.5	6	30	5	M6
A-DA90	24	50	8	20	7	40	5	M8
A-DA100	28	60	8	24	7	50	5	M10
A-DA112M	28	60	8	24	7	50	5	M10
A-DA132	38	80	10	33	8	65	7.5	M12
A-DA160	42	110	12	37	8	90	10	M16

