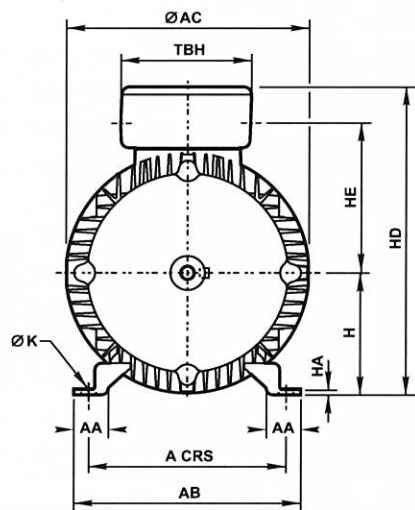
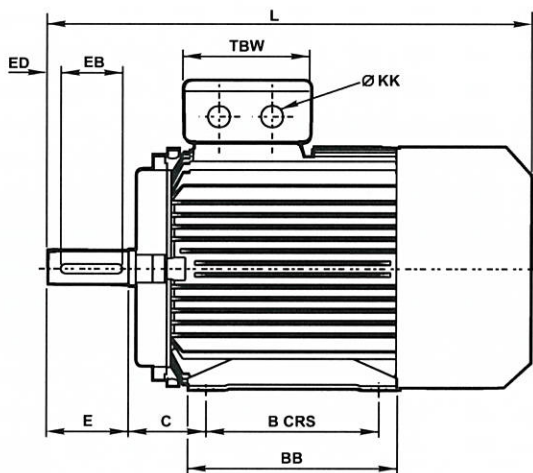


# Dimensions

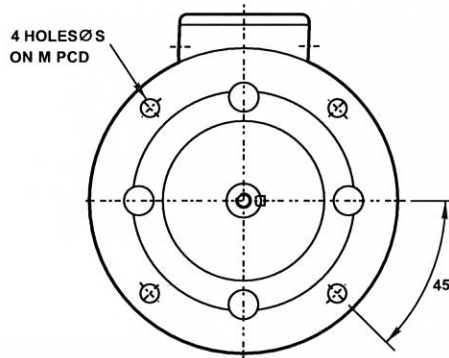
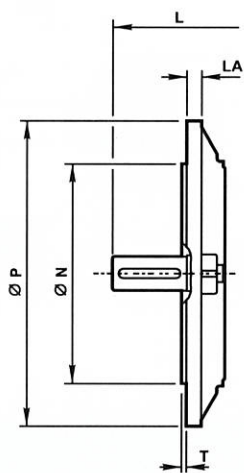
20

Foot and flange mounting - frame sizes 180 to 355 cast iron (A/AU-DF)

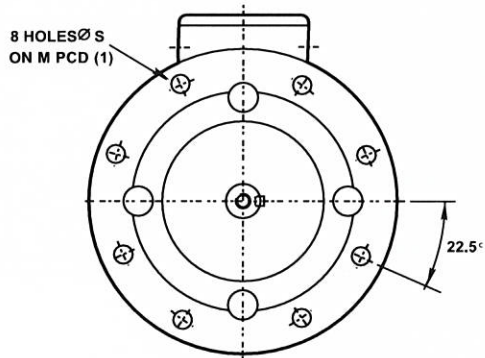
IM B3  
IM 1001  
Mounting options



IM B5/IM B35  
IM 3001/IM 2001  
Mounting options



Up to 200 frame



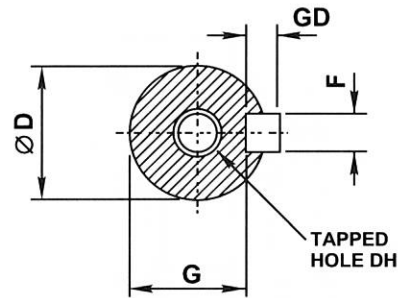
8 holes at 22.5° for flanges to suit 225 frames and above to European specification

# Dimensions

Foot and flange mounting - frame sizes 180 to 355 cast iron (A/AU-DF)

General																			
Type	4 pole +													2 pole			Terminal box		
Cast iron	A	B	C	H	K	L	L	AA	AB	AC	BB	HA	HD	HE	TBW	TBH	KK		
A-DF180M	279	241	121	180	14.5	688	688	70	349	355	311	22	450	226.5	152	162	2 x M40		
A-DF180L	279	279	121	180	14.5	726	-	70	349	355	349	22	450	226.5	152	162	2 x M40		
A-DF200L	318	305	133	200	16.5	779	779	70	388	397	369	25	504	249	190	210	2 x M50		
AU-DF225S	356	286	149	225	18.5	824	-	75	431	446	368	28	561	278	190	210	2 x M50		
AU-DF225M	356	311	149	225	18.5	849	819	75	431	446	393	28	561	278	190	210	2 x M50		
AU-DF250M	406	349	168	250	24	910	910	80	484	485	445	30	610	303	218	248	2 x M63		
AU-DF280S	457	368	190	280	24	982	982	85	542	547	485	35	669	333	218	248	2 x M63		
AU-DF280M	457	419	190	280	24	1033	1033	85	542	547	536	35	669	333	218	248	2 x M63		
AU-DF315S	508	406	216	315	28	1224	1194	120	628	620	570	45	842	445	280	320	2 x M63		
AU-DF315M	508	457	216	315	28	1334	1304	120	628	620	680	45	842	445	280	320	2 x M63		
AU-DF315L	508	508	216	315	28	1334	1304	120	628	620	680	45	842	445	280	320	2 x M63		
AU-DF355M	610	560	254	355	28	1556	1487	116	726	698	750	52	997	540	330	380	2 x M63		
AU-DF355L	610	630	254	355	28	1556	1487	116	726	698	750	52	997	540	330	380	2 x M63		

Flange						
Type	IM B5, IM B35 mounting					
Cast iron	M	N	P	S	T	LA
A-DF180M/L	300	250	350	18.5	5	15
A-DF200L	350	300	400	18.5	5	17
AU-DF225S/M	400	350	450	18.5	5	20
AU-DF250	500	450	550	18.5	5	22
AU-DF280	500	450	550	18.5	5	22
AU-DF315S/M/L	600	550	660	24	6	22
AU-DF355M/L	740	680	800	24	6	25



Shaft																	
Type	4 pole +								2 pole								
Cast iron	D	E	F	G	GD	EB	ED	DH	D	E	F	G	GD	EB	ED	DH	
A-DF180M/L	48	110	14	42.5	9	90	10	M16	48	110	14	42.5	9	90	10	M16	
AU-DF200L	55	110	16	49	10	100	5	M20	55	110	16	49	10	100	5	M20	
AU-DF225S	60	140	18	53	11	125	7.5	M20	-	-	-	-	-	-	-	-	
AU-DF225M	60	140	18	53	11	125	7.5	M20	55	110	16	49	10	100	5	M20	
AU-DF250M	65	140	18	58	11	125	7.5	M20	60	140	18	53	11	125	7.5	M20	
AU-DF280S/M	75	140	20	67.5	12	125	7.5	M20	65	140	18	58	11	125	7.5	M20	
AU-DF315S/M/L	80	170	22	71	14	160	5	M20	65	140	18	58	11	125	7.5	M20	
AU-DF355M/L	100	210	28	90	16	180	15	M24	75	140	20	67.5	12	125	7.5	M20	